

A

B

C

D

E

A

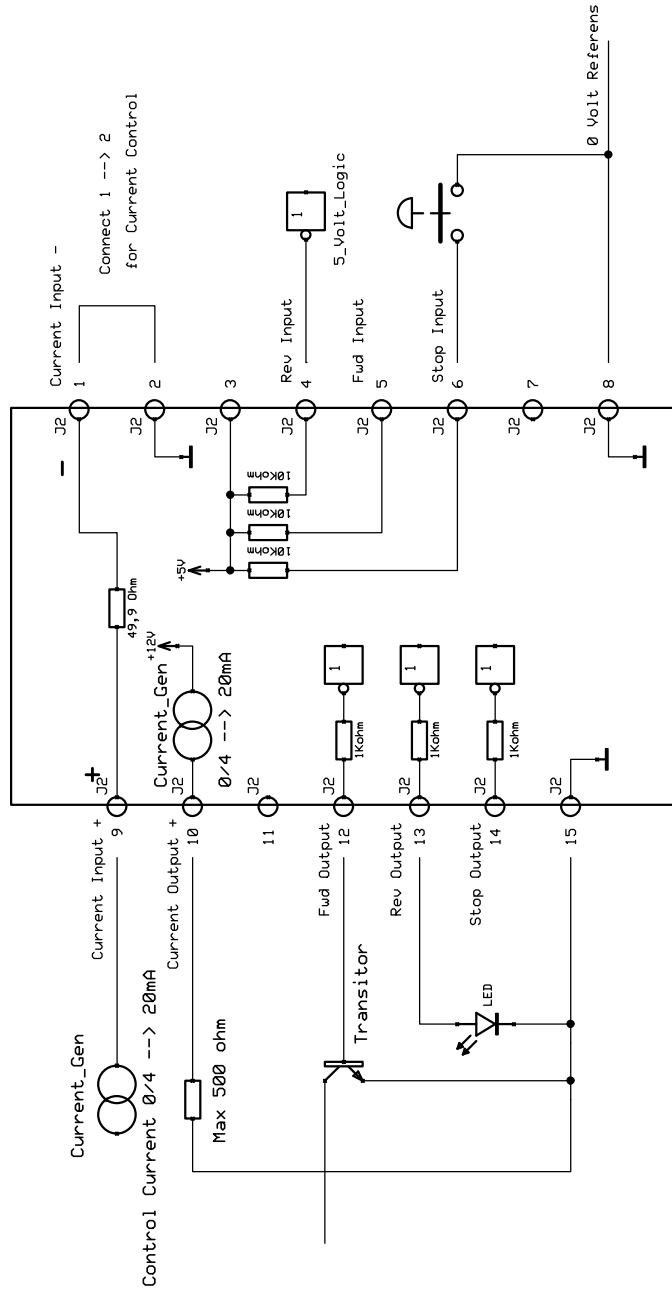
B

C

D

E

Internal Schematic



9	Design	Description	Included in	Machine
8		External Connection		
7	Drawn	Example	Release ECO	Release date
6				
5	Checked	Control Interface	Replaces	Design rev.
4				
3		Oina YV AB	Drawing no.	Page
2				1/1
1				