

QP-1 OEM

Robust aluminum and stainless steel one channel peristaltic pump for flows up to 9 ml/rev and pressure up to 10 bar.

The QP-1 pump is made of rigid metals to create a robust design. The 5 roller rotor is available with rollers in acetal/POM, for high duty and long life time, or with double ball bearings made of stainless acid proof steel, for high mechanical tolerances and low friction and low static electricity. The rigid design allows for extreme pressure up to 10 bar. The QP-1 pump can be fitted with a variety of different motors, 12 or 24 VDC, BLDC or stepper.

As all Oina Pumps, the QP-1 pump head has the dual spring loaded adjustable occlusion for easy tube loading and replacement, optimization of pressure and tube lifetime. The unique design not only allows for low power consumption but also less pulsation and more even pressure control.

The tube elements with barb fittings offers possibility to connect different inlet and outlet tubing independently of the tube elements ID. The QP-1 pump can be fitted with tubes from 1,6mm to 9,5mm as standard.

Specifications

- > No of channels: 1
- > Flow: 0,13 – 9 ml/rev
- > RPM: 0,3-450 rpm
- > Max Pressure: 10 bar
- > Suction height: 95%
- > Tube loading: Tube element with fittings or endless tube.
- > Motor: 12 or 24 VDC, BLDC, Stepper
- > Power consumption: 0-2 amp
- > Materials: Aluminum, Stainless Steel, POM

Tubing

- > Tube ID: 0,5 – 9,5 mm
- > Tube wall: 1,6mm
- > Tube material: TPE (PharMed, Oina PHI, FLXC), Peroxide or Platinum cured Silicone, PVC (Tygon, ClearGreen), Fluorelastomer (Viton)

Features

- > High pressure Peristaltic Pump, up to 10 bar
- > Unique dual spring loaded adjustable occlusion for increased durability
- > Customized connectors for easy tube loading and replacement

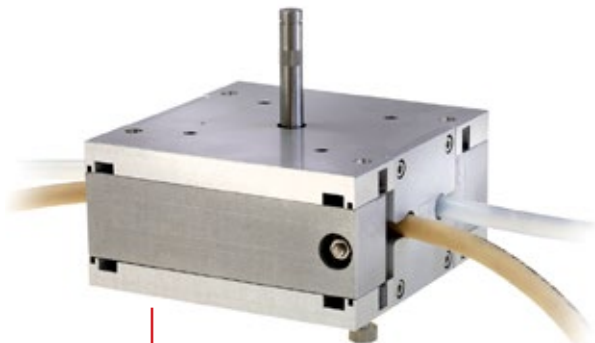
Application and industries:

- > Water treatment, OEM, Laboratory, process industry

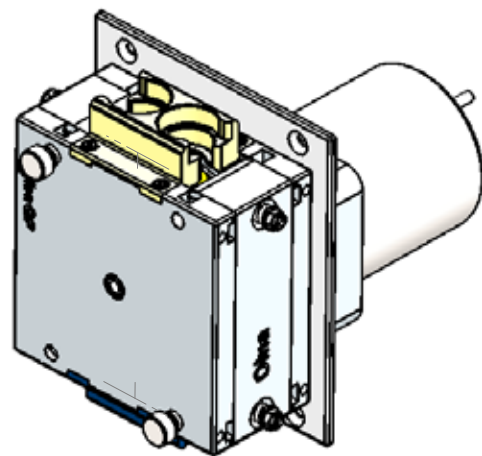
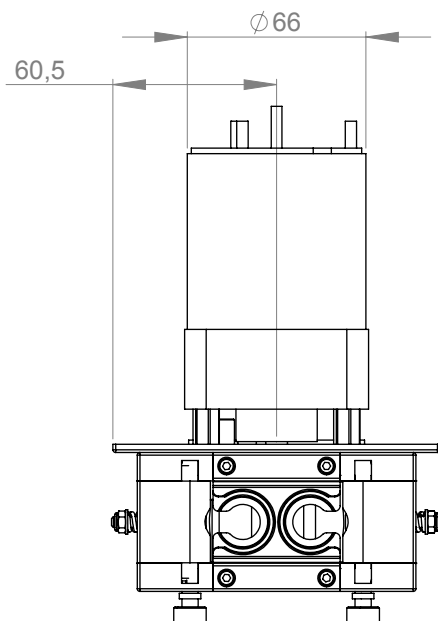
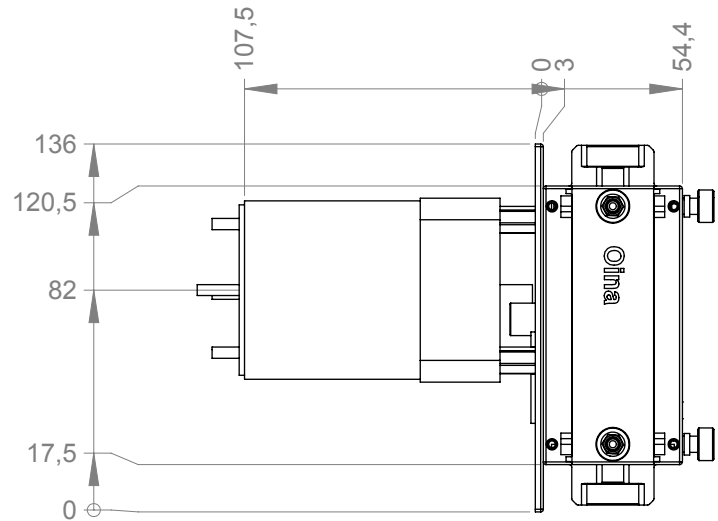
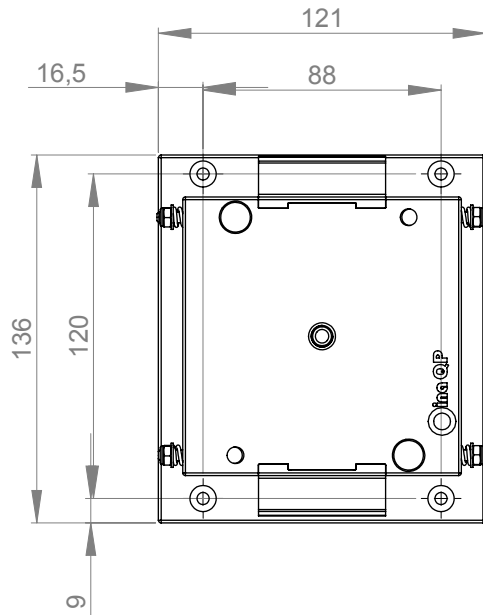
Alternative configurations

The QP-1 pump is also available with free shaft and can easily be modified into a two channel pump. Tube connectors are available with tube elements with barb fittings but also as endless tube with spring loaded V-shape tube clamp.

- > Fittings or endless tube configuration
- > Free shaft configuration
- > Pump head also available in bench top in lab or process, see QP-lab series.



QP-2 OEM pump head with free shaft, alternative configuration for two channels.



All dimensions are approximate and in mm.
Multiple motor configurations are available.

QP-1 capacity table

IDxW (mm)	QP1, 5 rollers ml/rev
0,8	0,13
1,6	0,45
2,4	0,95
3,2	1,8
4	2,2
4,8	3
6,4	5
8	8
9,5	9

Oina VV AB develops and manufactures Peristaltic Pumps for medical and industrial applications. We also offer tubing, fittings, valves and other accessories.

Oina is specialized in tailor made designs, based on customer requirements.

Give us a call!

+46 8 559 223 70

info@oina.se

www.oina.se