



SP-1 OEM

Plastic molded, highly modular, one channel peristaltic pump for flows up to 1 ml/rev and pressure up to 3 bar.

The SP-1 pump has a plastic molded pump head made of PPS Ryton® for increased stability and higher tolerances. The pump head can be fitted with a variety of different motors such as 12 or 24 VDC, BLDC or stepper.

As all Oina Pumps, the SP-1 pump head has the dual spring loaded adjustable occlusion for easy tube loading and replacement, optimization of pressure and tube lifetime. The unique design not only allows for low power consumption but also less pulsation and more even pressure control.

Specifications

- > No of channels: 1
- > Flow: 0,0012 – 1 ml/rev
- > Rpm: 0,15-450 rpm
- > Max Pressure: 3 bar
- > Suction height: 95%
- > Tube loading: Tube element with LUER LOCK connectors or endless tube
- > Motor: 12 or 24 VDC, BLDC, Stepper
- > Power consumption: Max 0,5 amp
- > Materials: Head and rotor in PPS Ryton® with 40% glassfiber, other parts in ETX, PVDF kynar, nylon

Tubing

- > Tube ID: 0,5 – 4,8 mm
- > Tube wall: 1 and 1,6 mm
- > Tube material: TPE (PharMed, Oina PHI or FLXC), Peroxide or Platinum cured Silicone, PVC (Tygon, ClearGreen), Fluorelastomer (Viton)

Features

- > Unique dual spring loaded adjustable occlusion for increased durability, pressure control and longer tube life time
- > Stackable pump head
- > LUER LOCK Connectors for easy tube loading and replacement
- > Modular design

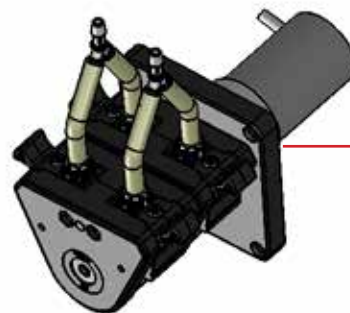
Application and industries:

- > OEM, Laboratory, process industry

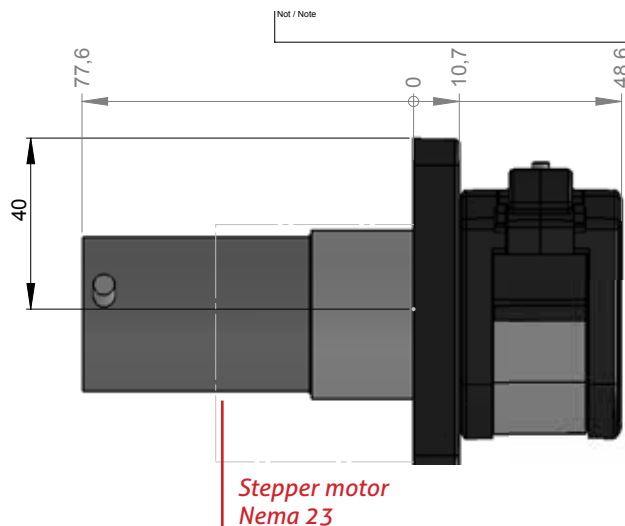
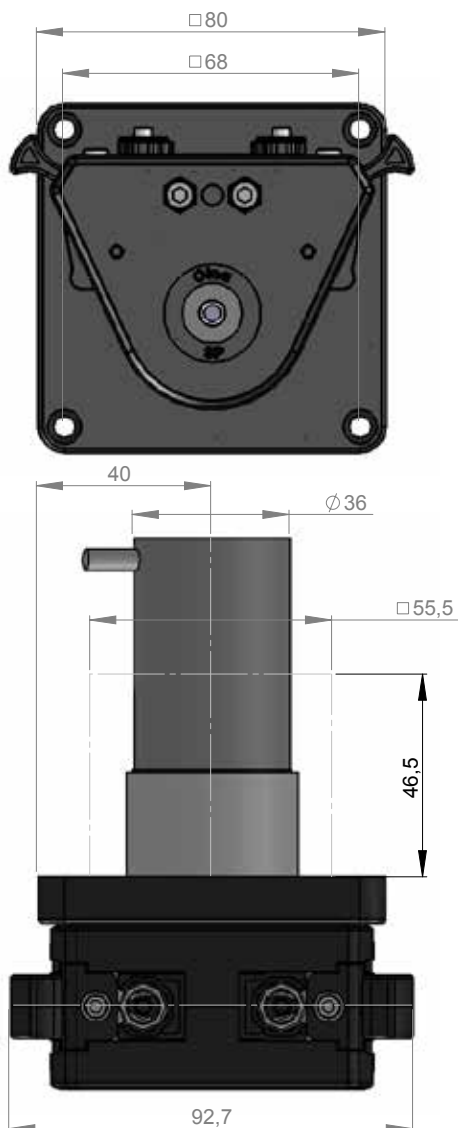
Alternative configurations

The SP-1 can be fitted with 3, 4 or 6 rollers for tubes from 0,5-4,8 mm ID. Less rollers allows for higher flow. The tube elements with LUER LOCK connector's offers possibility to connect different inlet and outlet tubing independently of the tube elements ID.

- > No, of rollers: 3, 4 ,6
- > Available pump head materials: PPS-Ryton, ETX, PVDF kynar
- > Alternatively continuous tube with spring loaded V-shape tube clamp.
- > Stackable pump head design
- > Pump head also available in bench top in lab or process, see SP-lab series.



SP-1x2 with DC motor. Stackable pumphead design.



All dimensions are approximate and in mm.
Multiple motor options available

SP-1 capacity table

| IDxW (mm) | 3 rollers | 4 rollers |
|-----------|-----------|-----------|
| | ml/rev | ml/rev |
| 0,5x1,6 | 0,01 | 0,008 |
| 0,8x1,6 | 0,03 | 0,02 |
| 1,6x1,6 | 0,12 | 0,09 |
| 2,4x1,6 | 0,32 | 0,24 |
| 3,2x1,6 | 0,55 | 0,41 |
| 4,0x1,6 | 0,8 | 0,6 |
| 4,8x1,6 | 1 | 0,75 |

| IDxW (mm) | 6 rollers |
|-----------|-----------|
| | ml/rev |
| 0,25 | 0,0032 |
| 0,5 | 0,013 |
| 1 | 0,044 |
| 1,5 | 0,088 |
| 2 | 0,14 |
| 2,5 | 0,19 |
| 3 | 0,3 |

Additional tube sizes are available.

Oina VV AB develops and manufactures Peristaltic Pumps for medical and industrial applications. We also offer tubing, fittings, valves and other accessories.

Oina is specialized in tailor made designs, based on customer requirements.

Give us a call!

+46 8 559 223 70

info@oina.se

www.oina.se